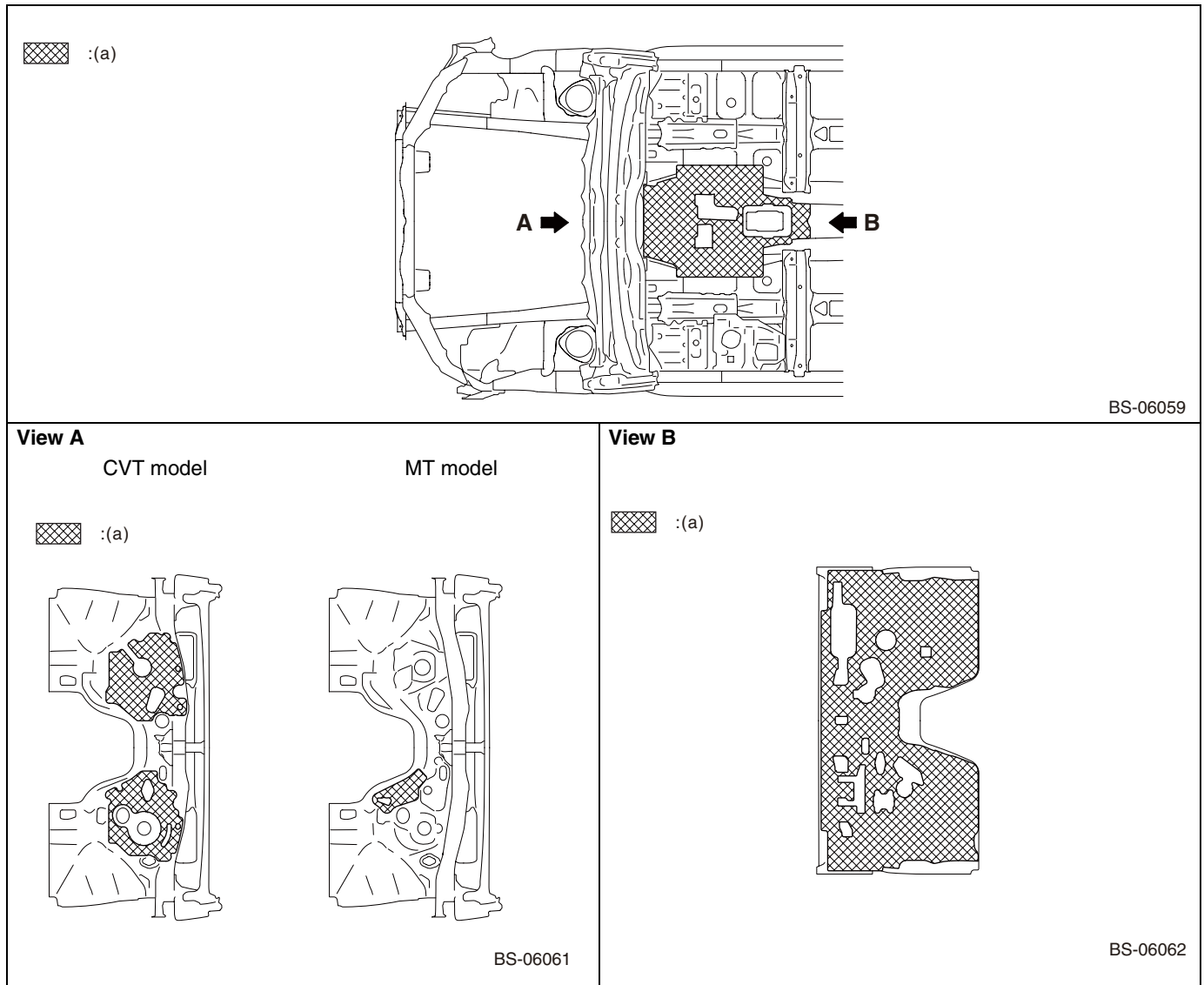


Insulator

12. Insulator

A: SPECIFICATION

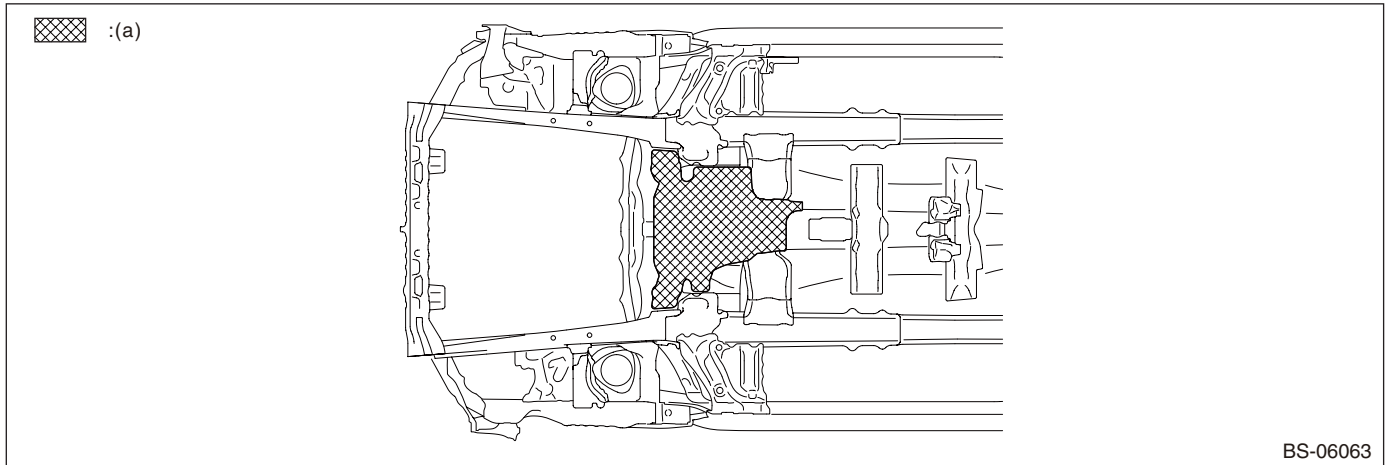
1. UPPER VIEW



(a) Insulator

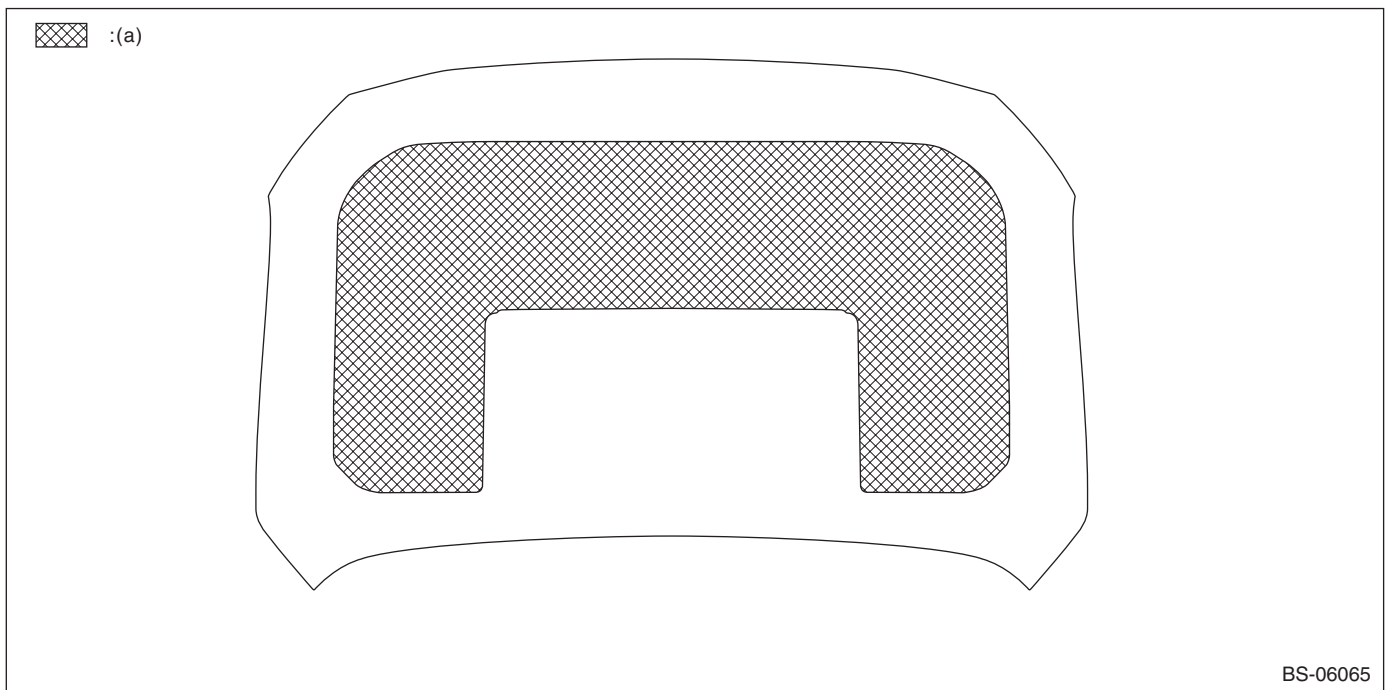
Insulator

2. BOTTOM VIEW



(a) Insulator

3. FRONT HOOD



(a) Insulator